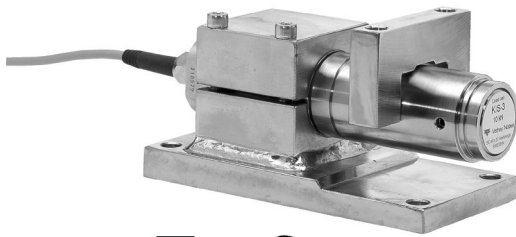


Weigh Module



FEATURES

- Capacity range: 1, 2, 5, 10, and 20kN (225, 450, 1.12K, 2.25K, and 4.5Klb)
- Simple installation
- Moveable load point
- Withstands very high lateral forces
- Extremely accurate and rugged
- ATEX certified for hazardous locations

DESCRIPTION

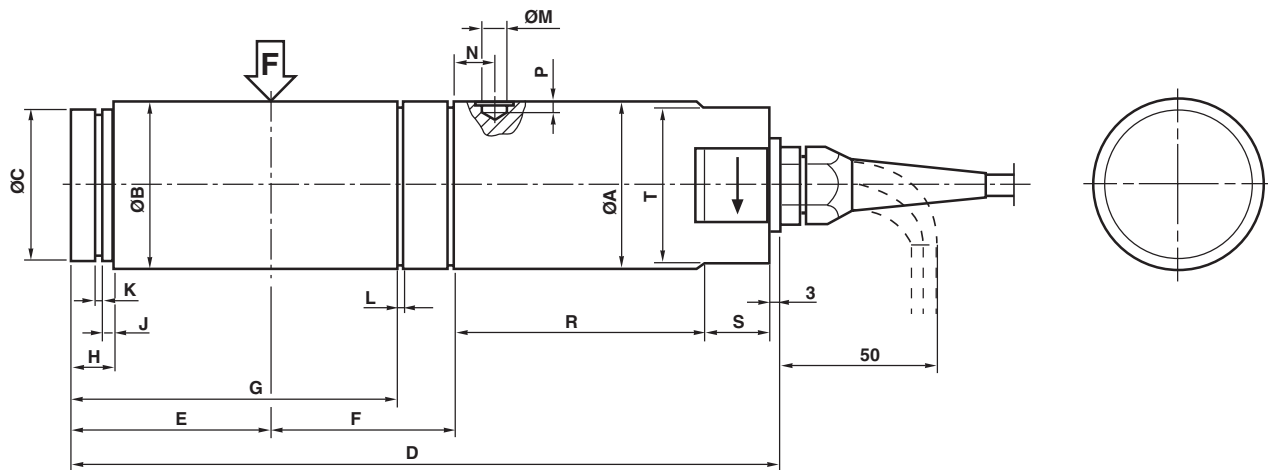
High-accuracy KIS-3 load cells have several features that clearly distinguish them from other load cells. They are easy to install and extremely accurate, even when subjected to dynamic process forces and severe environmental conditions. All KIS

load cells can be ATEX certified for use in explosive atmospheres.

APPLICATIONS

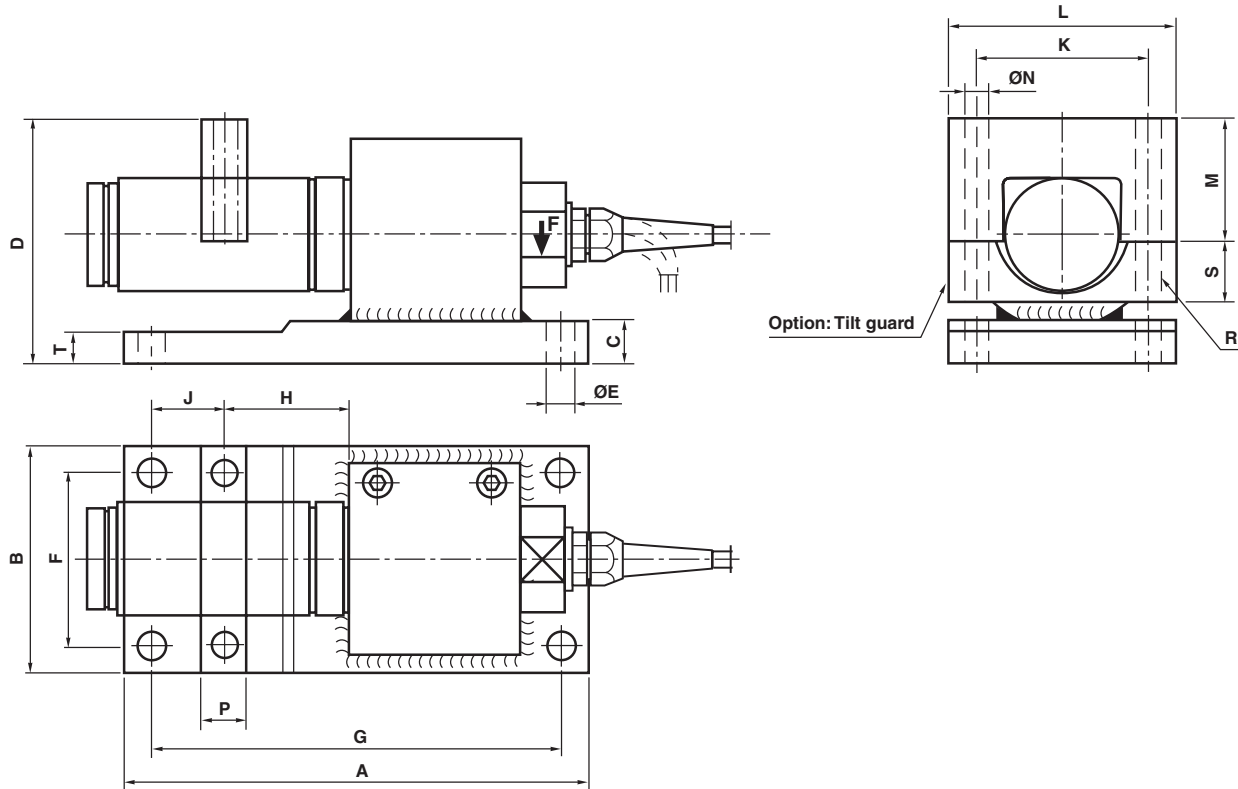
- Quality-critical process weighing
- Batch/blend/mix systems
- Reactor vessels
- High-value ingredient weighing
- Precision force measurement

OUTLINE DIMENSIONS



RANGE kN	ØA	ØB	ØC	D	E	F	G	H	J	K	L	ØM	N	P	R	S	T
1-2-5	34	33	29	169	46	35	-	10	2.5	1.6	-	4.4	10	2.3	70	15	30
10-20	51	50	45	213	60	55	97.85	13	4	1.85	2.15	7.5	12	5	75	20	46

OUTLINE DIMENSIONS cont.



RANGE kN	A	B	C	D	ØE	F	G	H	J	K	L	M	ØN	P	T	R	S
1-2-5	175	75	14	81	12	51	151	35	31	55	70	41	8.5	20	14	M8	19
10-20	204	100	19	107.5	12	76	180	55	32	75	100	54	11	20	14	M10	27

SPECIFICATIONS

Rated load (R.L.)		1, 2, 5, 10, 20	kN
Combined error (terminal)		±0.02	% of R.O.
Repeatability		0.01	% of R.O.
Overload	safe	100*	% of R.L.
	ultimate	200*	% of R.L.
Sideload	safe	100*	% of R.L.
	ultimate	200*	% of R.L.
Input voltage	recommended	10	V DC or AC
	maximum	18	V DC or AC
Input resistance		350±3	ohm
Output resistance		350±0.5	ohm
Rated output (R.O.)		2.040	mV/V
Tolerance of R.O.		±0.1	% of R.O.
Zero balance		±1	% of R.O.
Tolerance of shunt calibration values		0.1	% of value**
Creep at R.L. after 30 minutes		±0.01	% of R.L.
Temperature range		-40 to +80 (+100)***	°C
Temperature effect (-10°C to +50°C)	on output	±0.001	% of output/°C
	on zero balance	±0.001	% of R.O./°C
Insulation resistance at 200V DC		>4	Gohm
Material: Load Cell		Stainless steel	
Material: Bracket and Yoke		Yellow chromate steel****	
Electrical connection		5m shielded four conductor cable	
Degree of protection		IP 67	
* Referring to recommended loading case		ATEX certified versions for use in explosive atmospheres are available: II 1GD	
** See calibration sheet of the load cell			
*** -40 to + 100°C on demand			
**** Stainless steel on demand			
		Approved in accordance with OIML International Recommendations R 60 edition 1991, C3.	

Disclaimer

All product specifications and data are subject to change without notice.

Vishay Precision Group, Inc., its affiliates, agents, and employees, and all persons acting on its or their behalf (collectively, "Vishay Precision Group"), disclaim any and all liability for any errors, inaccuracies or incompleteness contained herein or in any other disclosure relating to any product.

Vishay Precision Group disclaims any and all liability arising out of the use or application of any product described herein or of any information provided herein to the maximum extent permitted by law. The product specifications do not expand or otherwise modify Vishay Precision Group's terms and conditions of purchase, including but not limited to the warranty expressed therein, which apply to these products.

No license, express or implied, by estoppel or otherwise, to any intellectual property rights is granted by this document or by any conduct of Vishay Precision Group.

The products shown herein are not designed for use in medical, life-saving, or life-sustaining applications unless otherwise expressly indicated. Customers using or selling Vishay Precision Group products not expressly indicated for use in such applications do so entirely at their own risk and agree to fully indemnify Vishay Precision Group for any damages arising or resulting from such use or sale. Please contact authorized Vishay Precision Group personnel to obtain written terms and conditions regarding products designed for such applications.

Product names and markings noted herein may be trademarks of their respective owners.